

### Tachogenerators

Lika can offer a range of quality Tachogenerators manufactured by our partner company. They are compatible to other existing brands, such as RADIO-ENERGY, HUBNER, MAGNETIC, MAVILOR and others, which might be conveniently replaced.

#### Overview EURO flange solid shaft versions



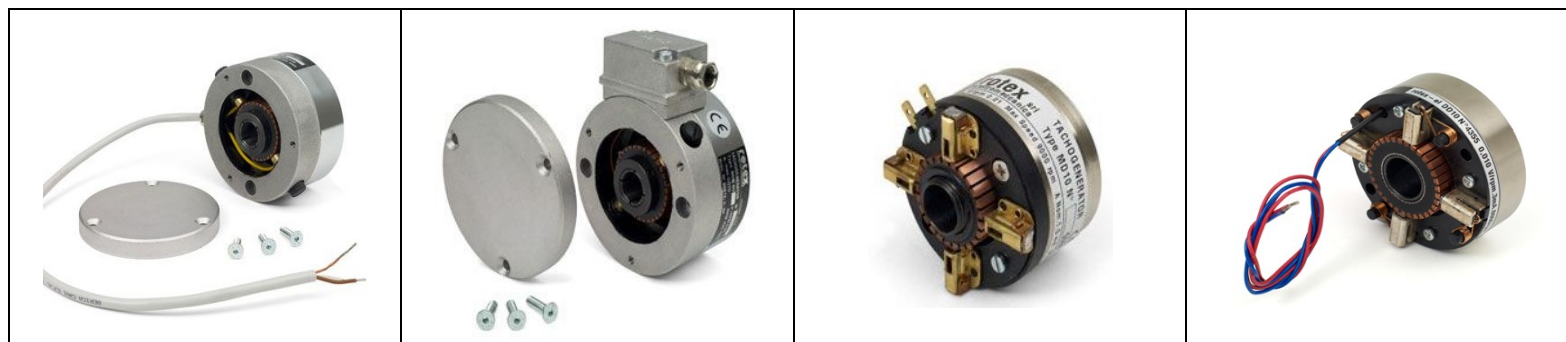
Type	FD-xx	FDB-xx	FD-xx-E, FDB-xx-E FD-xx-F, FDB-xx-F	FDB-xx-L	FDB-xx-D
Features	Standard 20V/1000rpm 60V/1000rpm	Standard 20V/1000rpm 60V/1000rpm  FDBO: high accuracy version	Arrangement for hollow shaft encoder 20V/1000rpm 60V/1000rpm Version E: for CK58 Version F: for CK59	Arrangement for square flange encoder IT65  20V/1000rpm 60V/1000rpm	Redundant output  20V/1000rpm 60V/1000rpm
Connection	Cable output	Turnable terminal box	Cable Turnable terminal box	Turnable terminal box	Turnable terminal box
Options:	<ul style="list-style-type: none"> <li>• Shaft Ø 7mm</li> <li>• Output voltage on request</li> </ul>	<ul style="list-style-type: none"> <li>• Shaft Ø 7mm</li> <li>• Output voltage on request</li> </ul>	<ul style="list-style-type: none"> <li>• Output voltage on request</li> </ul>	<ul style="list-style-type: none"> <li>• Output voltage on request</li> </ul>	

# PRODUCT INFORMATION

Nr. 09008 rev.5

Mailing list: Excl. dist. + SP

## Overview Hollow shaft versions



Type	SD-xx	SDB-xx	MD-10	DD-10
Features	Standard 20V/1000rpm 60V/1000rpm	Standard 20V/1000rpm 60V/1000rpm	Miniature 10V/1000rpm	Miniature 10V/1000rpm
Connection	Cable output	Turnable terminal box	2 terminals	Cable output
Hollow shaft Ø	Ø 16 mm H7	Ø 16 mm H7	Ø10 mm H7	Ø12,7 mm
Options	<ul style="list-style-type: none"> <li>Hollow shaft Ø14 mm H7</li> <li>output voltage on request</li> </ul>	<ul style="list-style-type: none"> <li>Hollow shaft Ø14 mm H7</li> <li>output voltage on request</li> </ul>		<ul style="list-style-type: none"> <li>DD-10-T1: Ø10 mm H7</li> </ul>

Order code	Description	Voltage @ 1000 rpm
FD-20	EURO flange tacho with solid shaft, cable output	20
FD-60	EURO flange tacho with solid shaft, cable output	60
FD-20-7	EURO flange tacho with solid shaft Ø7mm, cable output	20
FD-60-7	EURO flange tacho with solid shaft Ø7mm, cable output	60
FDB-10	EURO flange tacho with solid shaft, turnable terminal box output	10
FDB-20	EURO flange tacho with solid shaft, turnable terminal box output	20
FDB-60	EURO flange tacho with solid shaft, turnable terminal box output	60
FDB-100	EURO flange tacho with solid shaft, turnable terminal box output	100
FDB-20-7	EURO flange tacho with solid shaft Ø7mm, turnable terminal box output	20
FDB-60-7	EURO flange tacho with solid shaft Ø7mm, turnable terminal box output	60
FDBO-20	Hi-accuracy EURO flange tacho with solid shaft, turnable terminal box output	20
FDBO-60	Hi-accuracy EURO flange tacho with solid shaft, turnable terminal box output	60
FDB-20-E	EURO flange tacho with solid shaft, arrangement for xx58 series, turnable terminal box output	20
FDB-60-E	EURO flange tacho with solid shaft, arrangement for xx58 series, turnable terminal box output	60
FDB-100-E	EURO flange tacho with solid shaft, arrangement for xx58 series, turnable terminal box output	100
FDB-20-F	EURO flange tacho with solid shaft, arrangement for xx59 series, turnable terminal box output	20
FDB-60-F	EURO flange tacho with solid shaft, arrangement for xx50 series, turnable terminal box output	60
FDB-20-L	EURO flange tacho with solid shaft, arrangement for IT65 series, turnable terminal box output	20
FDB-60-L	EURO flange tacho with solid shaft, arrangement for IT65 series, turnable terminal box output	60
FDB-20-D	EURO flange tacho with solid shaft, redundant output, turnable terminal box output	20 + 20
FDB-60-D	EURO flange tacho with solid shaft, redundant output, turnable terminal box output	60 + 60
90000137	Kit of brushes for FDx & SDx tachos (for service)	--
FMD-10	Solid shaft tacho Ø5 mm, 1000rpm/10V	10

# PRODUCT INFORMATION

Nr. 09008 rev.5

Mailing list: Excl. dist. + SP

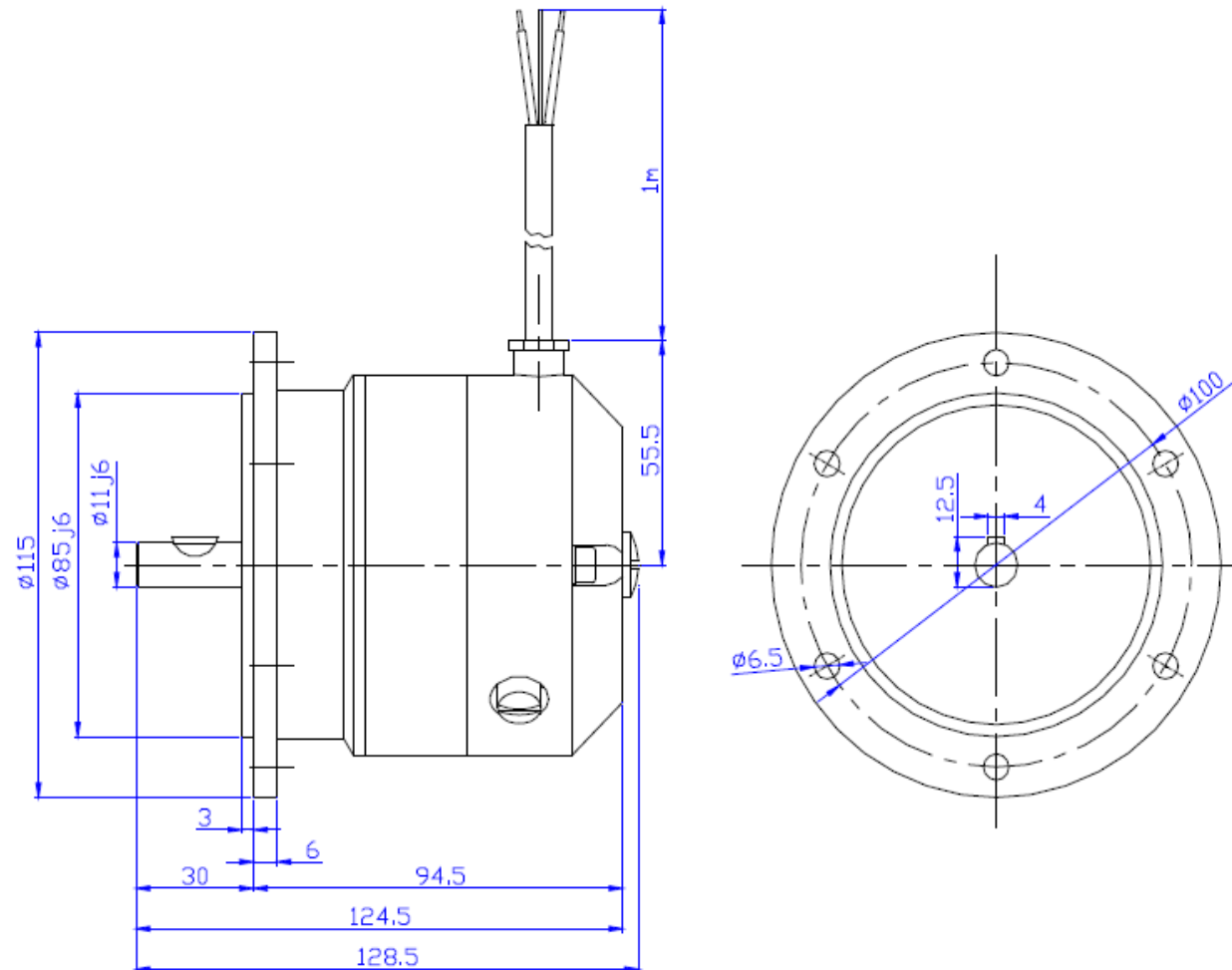
<b>SD-20</b>	Housed hollow shaft tacho, cable-press output	20
<b>SD-60</b>	Housed hollow shaft tacho, cable-press output	60
<b>SDB-10</b>	Housed hollow shaft tacho,, turnable terminal box output	10
<b>SDB-20</b>	Housed hollow shaft tacho,, turnable terminal box output	20
<b>SDB-60</b>	Housed hollow shaft tacho,, turnable terminal box output	60
<b>MD-10</b>	Miniature hollow shaft tacho, terminal connections	10
<b>DD-10</b>	Miniature hollow shaft Ø12.7 mm tacho, cable output	10
<b>DD-10-T1</b>	Miniature hollow shaft Ø10 mm tacho, cable output	10

# PRODUCT INFORMATION

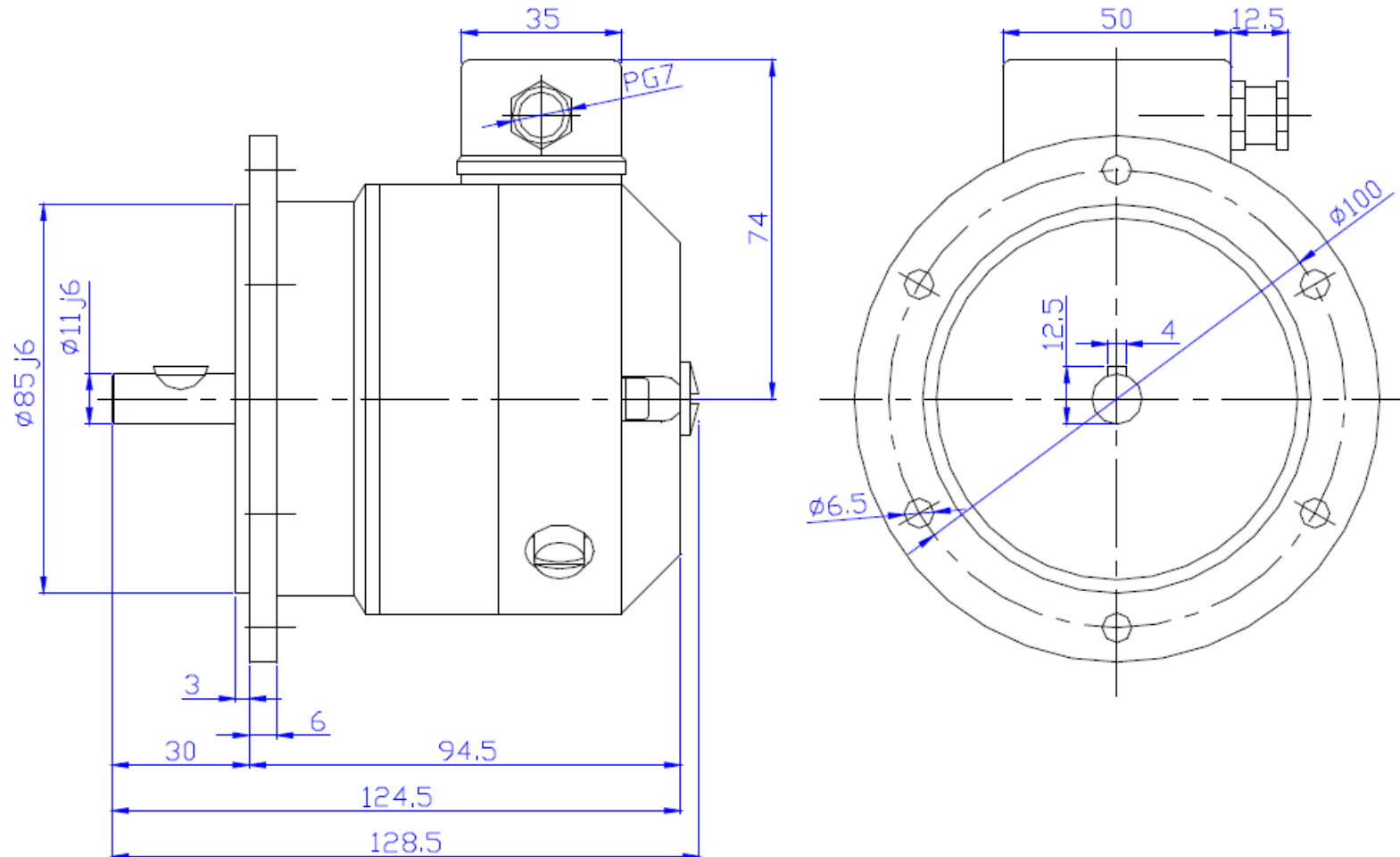
Nr. 09008 rev.5

Mailing list: Excl. dist. + SP

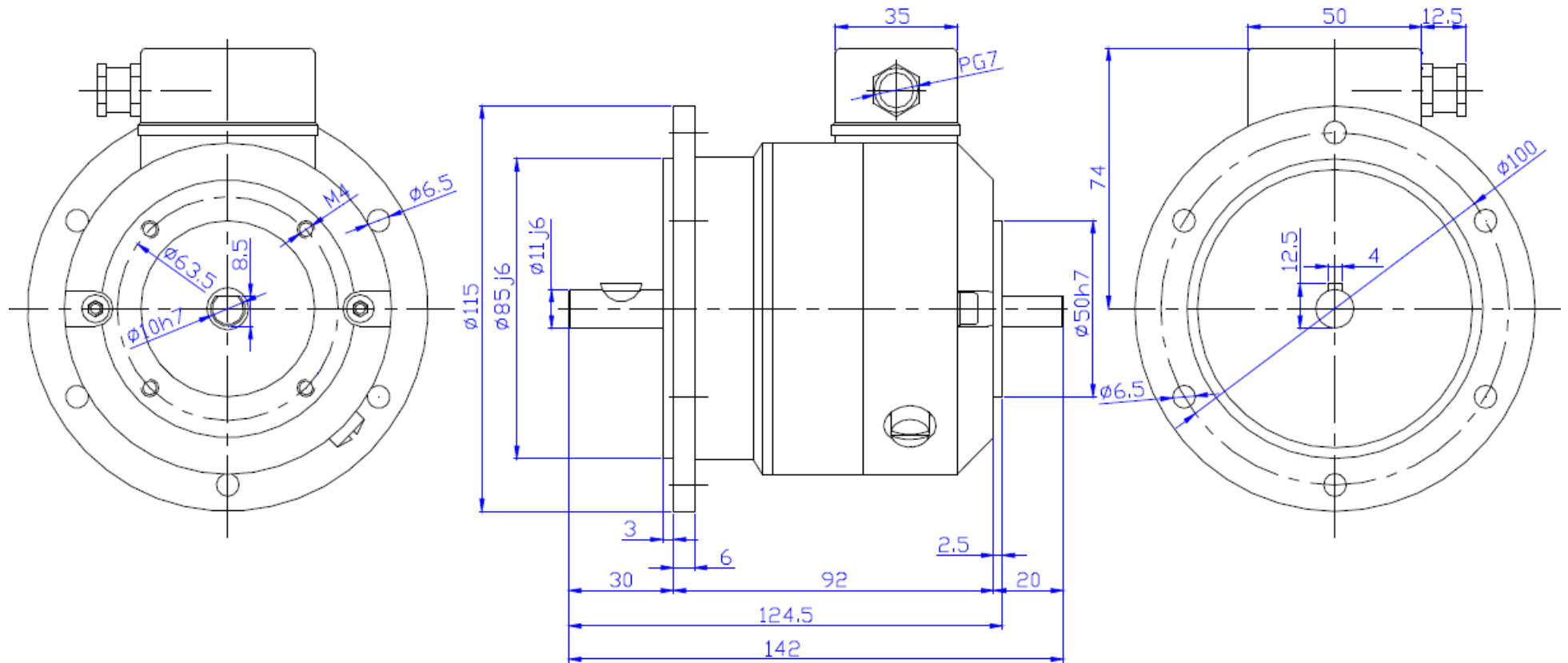
Dimensions Type FDB-xx



Dimensions Type FDB-xx

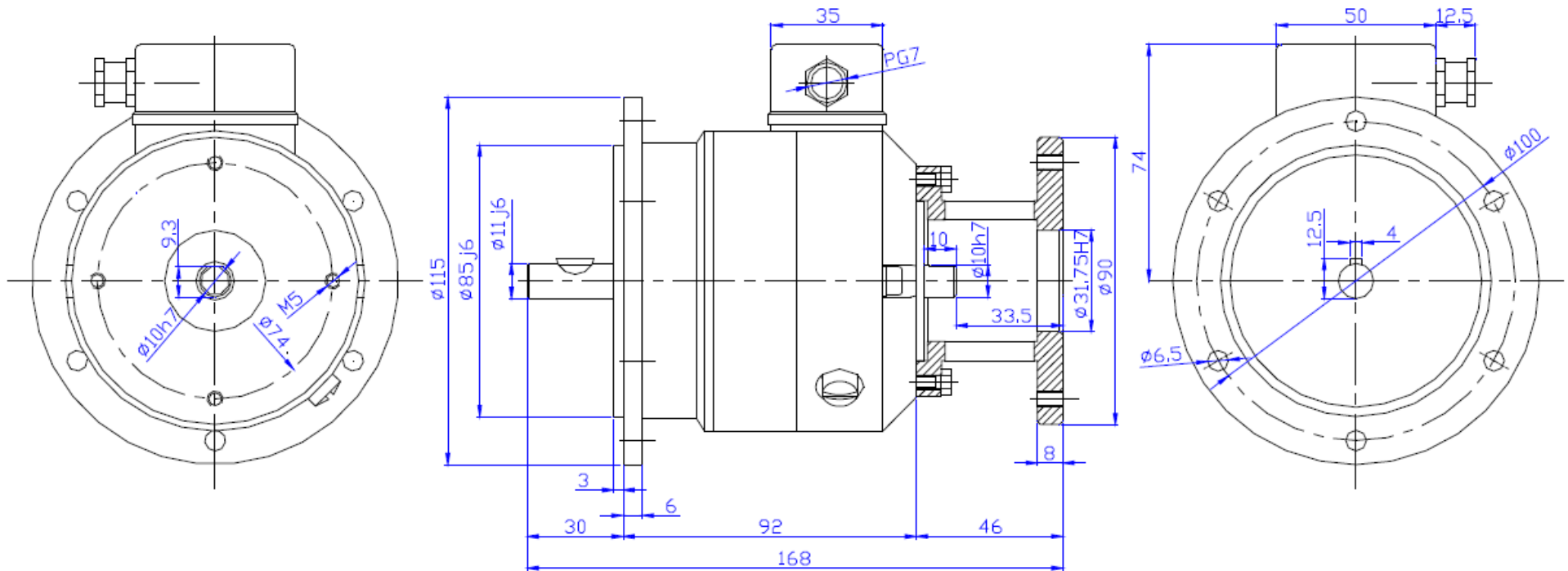


Dimensions Type FDB-xx-E (\*), FDB-xx-F



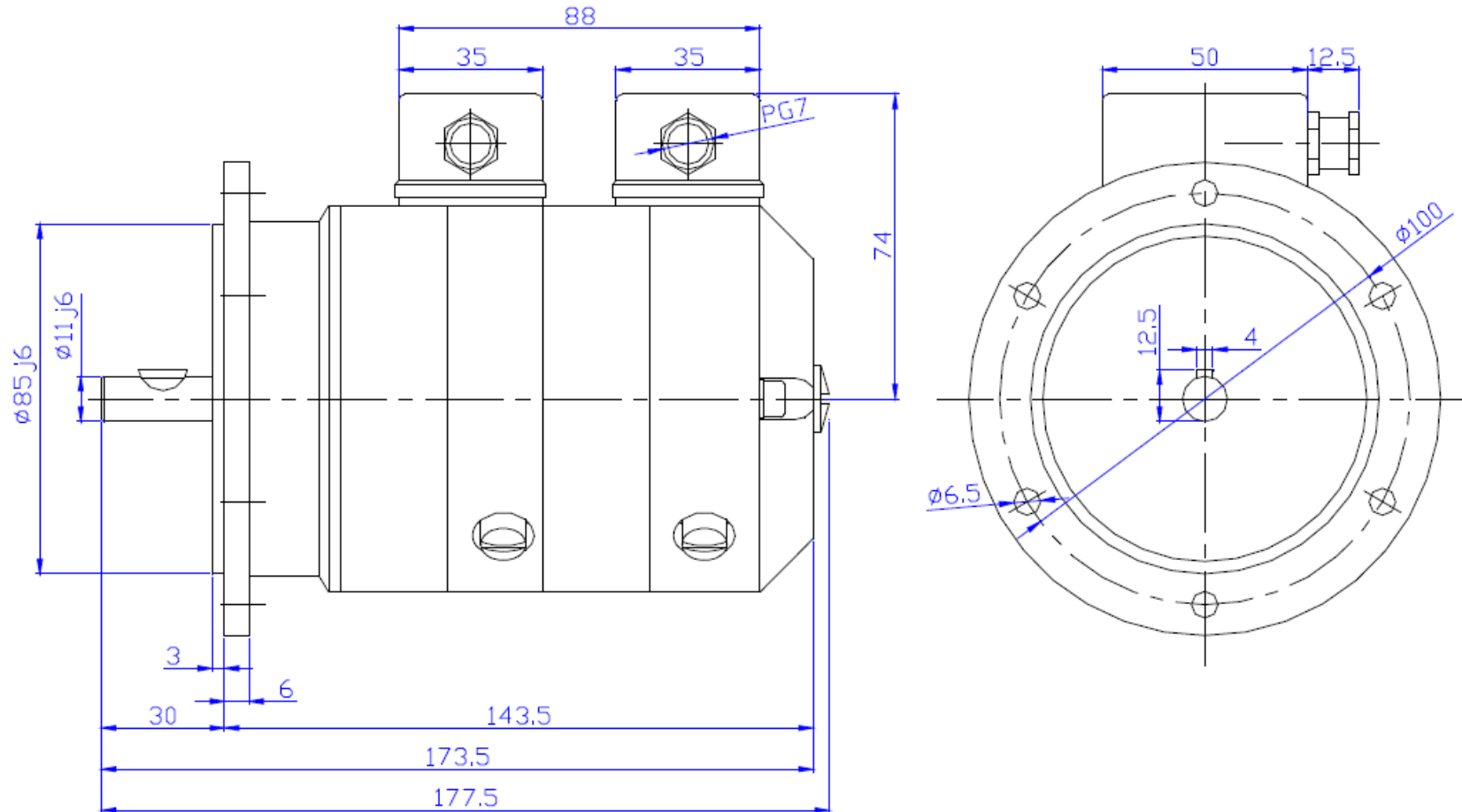
(\* FDB-xx-E has only 1 fixing hole on  $\phi 49$ mm)

### Dimensions Type FDB-xx-L

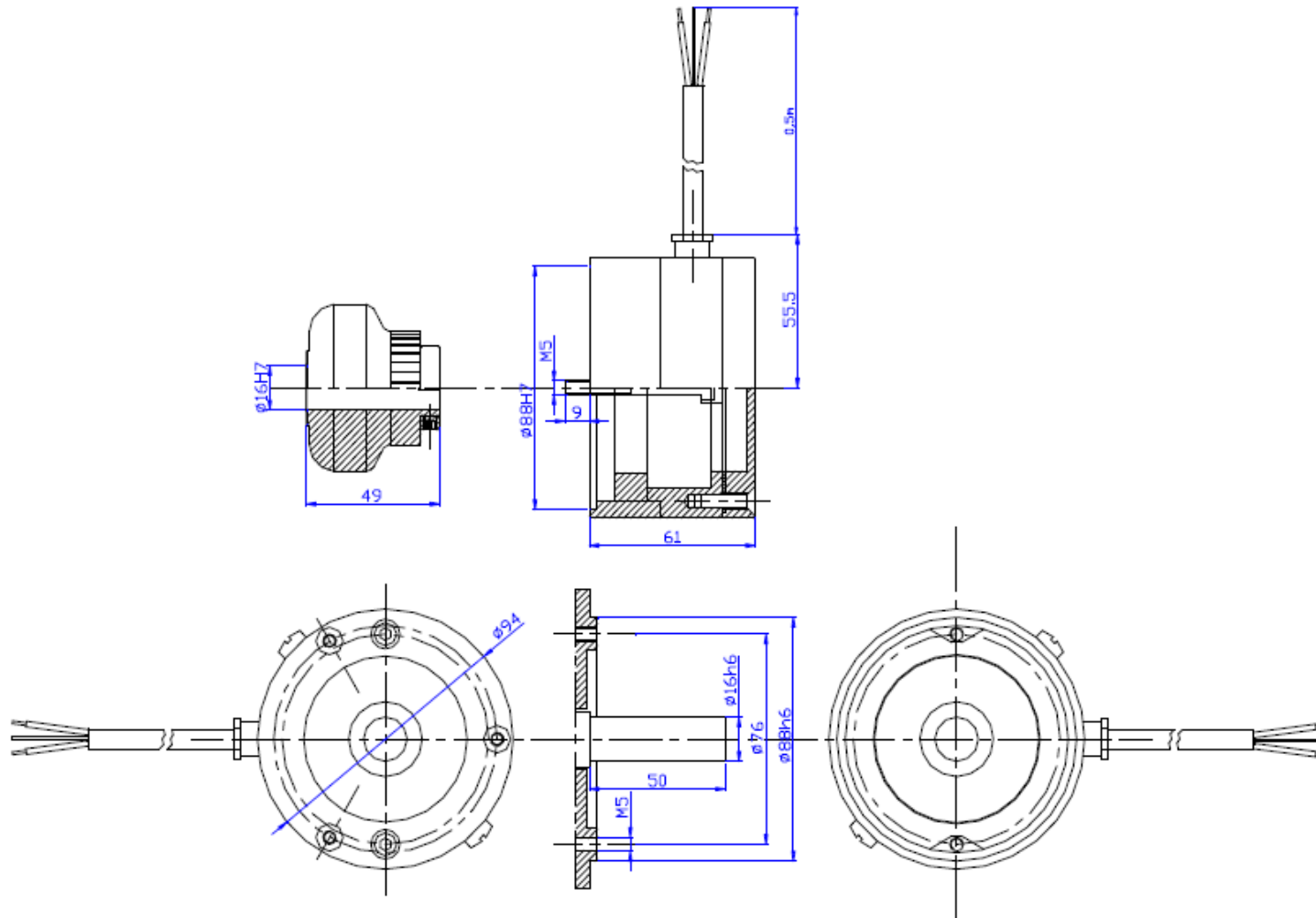




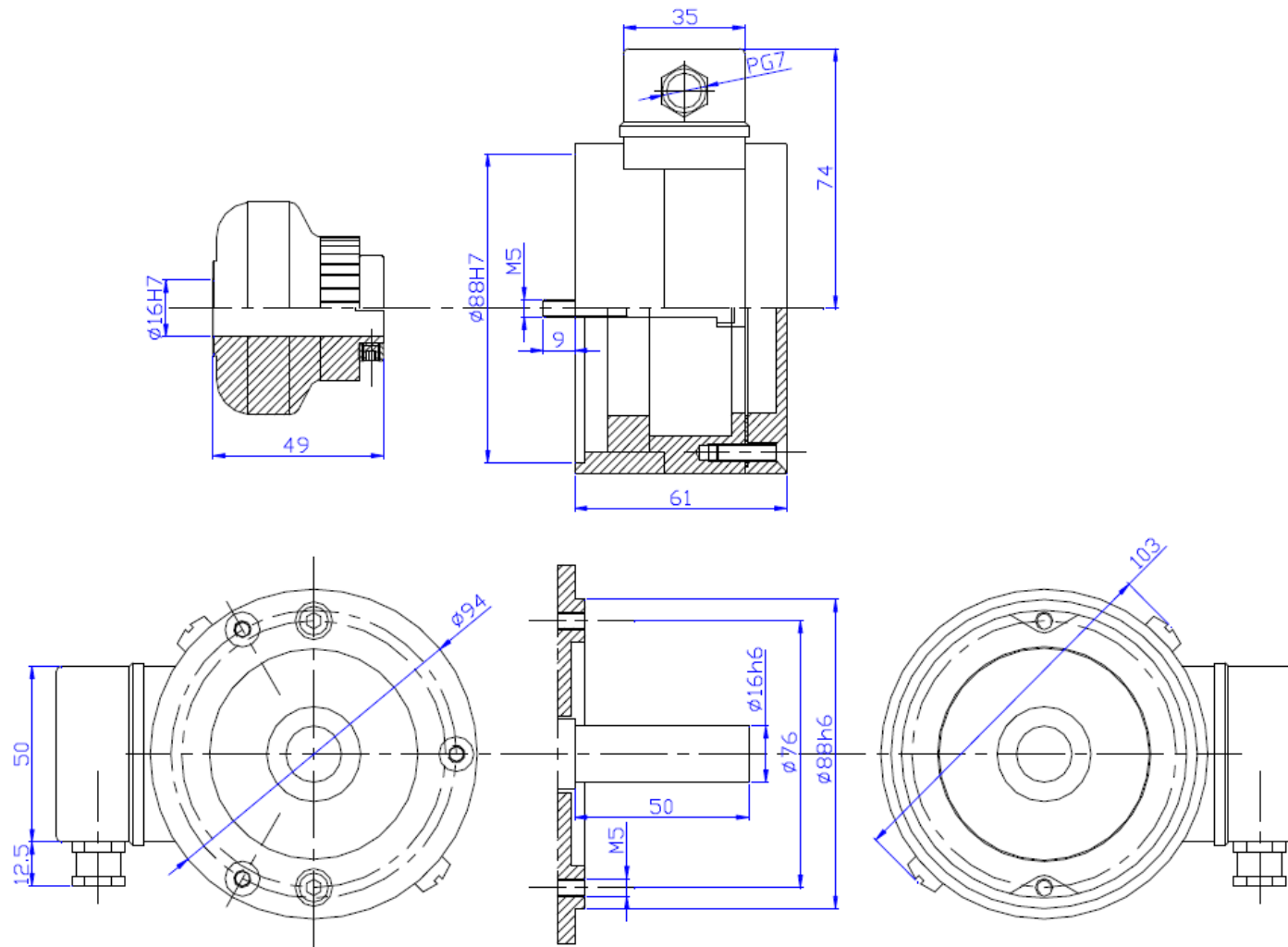
Dimensions Type FDB-xx-D



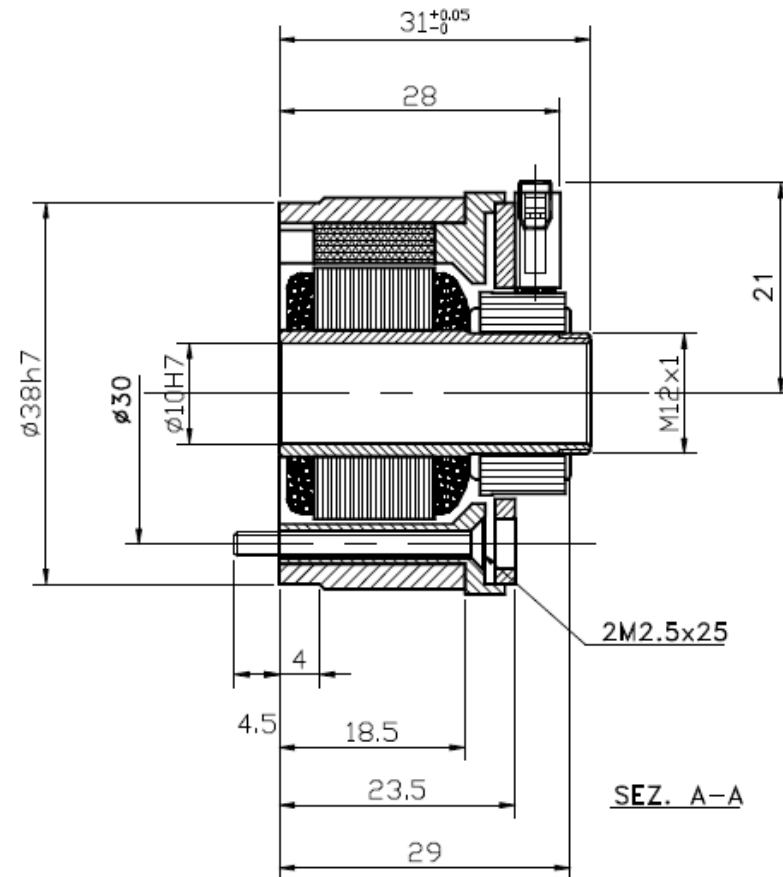
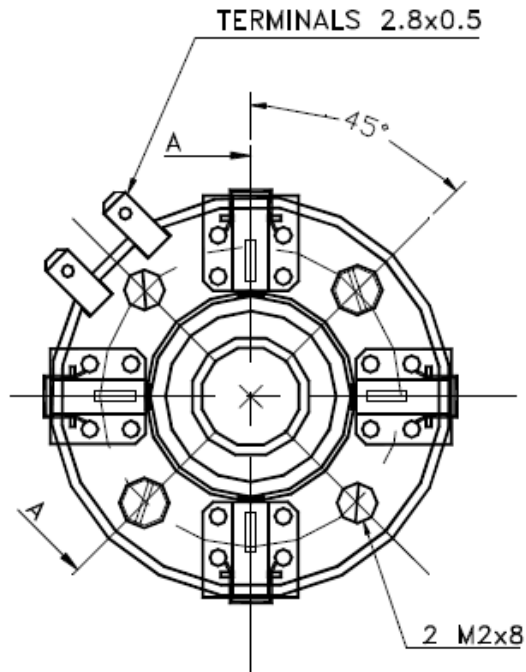
Dimensions Type SD-xx



### Dimensions Type SDB-xx



Dimensions Type MD-10

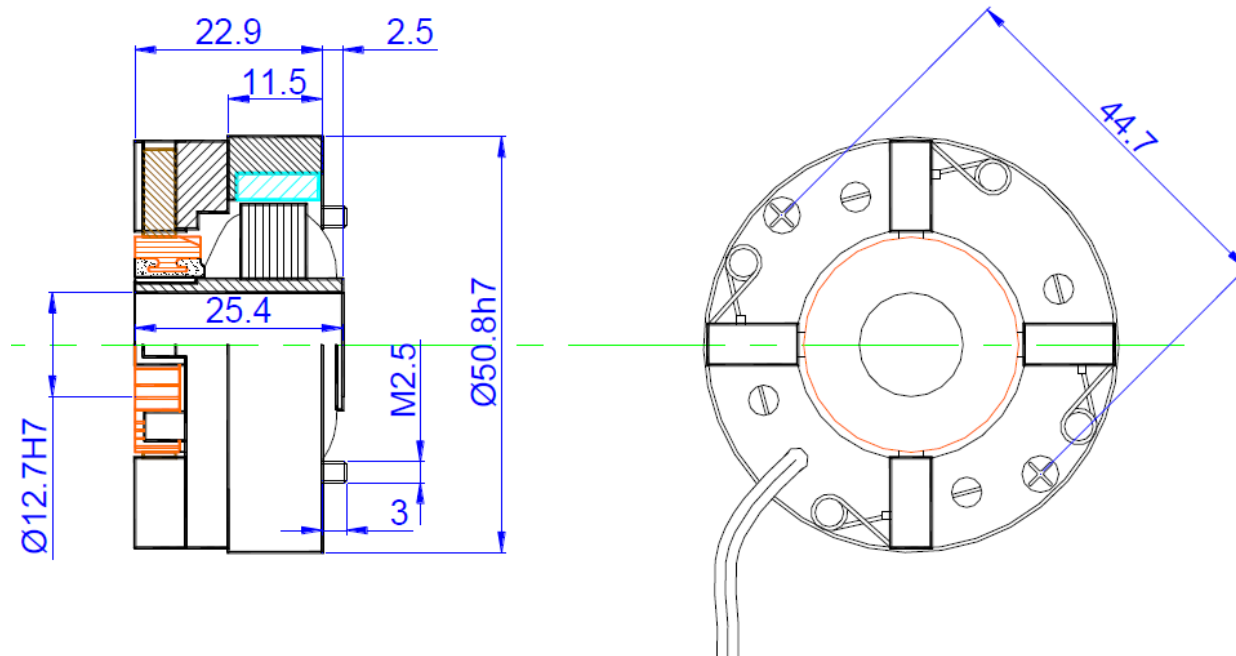


# PRODUCT INFORMATION

Nr. 09008 rev.5

Mailing list: Excl. dist. + SP

Dimensions Type DD-10



### Technical features

Feature	FD series	FDB series	FDB-xx-E series FDB-xx-F series	FDB-xx-L series	FDB-xx-D series
Loadfree volatge at 1000 rpm	see order code $\pm 3\%$				
Nominal current	20V version: 10 mA 60V version: 5 mA				
Maximum current	20V version: 200 mA 60V version: 70 mA				
Armature resistance	20V version: $75 \Omega \pm 10\%$ 60V version: $400 \Omega \pm 10\%$				
Maximum speed	20V version: 6000 rpm 60V version: 5000 rpm				
Peak-to-peak ripple	$\leq 1\%$				
Linearity	$\leq 0,20\%$				
Reversing tolerance	$\pm 0,015\%$				
EMF variation vs. temperature	$-0,015\%/^{\circ}\text{C}$				
Insulation class	B				
Protection	IP54				
Moment of inertia	1,6 kgcm <sup>2</sup>				2,8 kgcm <sup>2</sup>
Weight	2,1 kg		2,3 kg		3,4 kg
Connection	cable output		terminal box		

### Technical features

Feature	SB series	SDB series	MD-10	DD-10 series
Loadfree volatge at 1000 rpm	see order code $\pm 3\%$		10V $\pm 10\%$	
Nominal current	20V version: 10 mA 60V version: 5 mA		1,5 mA	3 mA
Maximum current	20V version: 200 mA 60V version: 70 mA		6 mA	20 mA
Armature resistance	20V version: $75 \Omega \pm 10\%$ 60V version: $400 \Omega \pm 10\%$		$110 \Omega \pm 10\%$	$65 \Omega \pm 10\%$
Maximum speed	20V version: 6000 rpm 60V version: 5000 rpm		9000 rpm	6000 rpm
Peak-to-peak ripple	$\leq 1\%$		$\leq 1,5\%$	
Linearity	$\leq 0,20\%$		$\leq 0,15\%$	
Reversing tolerance	$\pm 0,015\%$		$\leq 0,15\%$	
EMF variation vs. temperature	$-0,015\%/^{\circ}\text{C}$		$-0,04\%/^{\circ}\text{C}$	
Insulation class	B			
Protection	IP54		IP00	
Moment of inertia	1,4 kgcm <sup>2</sup>		40 gcm <sup>2</sup>	100 gcm <sup>2</sup>
Weight	1,35 kg		115 g	160 g
Connection	cable output	terminal box	2,8x0,5 terminals	cable output

Rev.	Date	Update
4	17.07.2020	FDxx-E and FDxx-F descriptions added
5	24.08.2020	General review of layout